

# AROS

Manual Pump

CARPU1001

## Technical Manual



## TABLE OF CONTENTS

TABLE OF CONTENTS.....	2
INTRODUCTION .....	3
PRODUCT OVERVIEW.....	4
SAFETY INFORMATION.....	5
OPERATION .....	6
General use.....	6
INSTALLATION .....	7
Mounting (Bolting) .....	7
Mounting (Embedment).....	8
TECHNICAL SPECIFICATION .....	9
MAINTENANCE .....	10
SPARE PARTS & WEAR PARTS.....	12
TERMS & CONDITIONS OF SALE .....	13

---

## INTRODUCTION

Thank you for choosing a HITSA product from our range of Urban Cycling Solutions.

Aros is a manual air pump designed for use with bicycles. The product name “Aros” is used for a series of HITSA products, and makes reference to the name used for the Danish city of Aarhus in the Middle Ages. Aarhus is Denmark’s second-largest city, and along with Copenhagen, one of Denmark’s great cycling cities.

The Aros manual pump offers a pumping solution that does not require an electrical connection. The pump head accommodates the three common valve types used on bicycle tires: Dunlop, Schrader, and Presta. During operation, the pump head is locked to the bicycle tire valve to make the process of inflating the tire easier. During inflation of a bicycle tire, users are expected to manually regulate the desired inflation pressure of the tire.

The purpose of this manual is to provide guidance on operation, installation, maintenance, and other general information about your HITSA product to ensure optimal performance. We recommend you review this manual, keep it for reference, and pass it on to any future owner of the product.

**PRODUCT OVERVIEW**

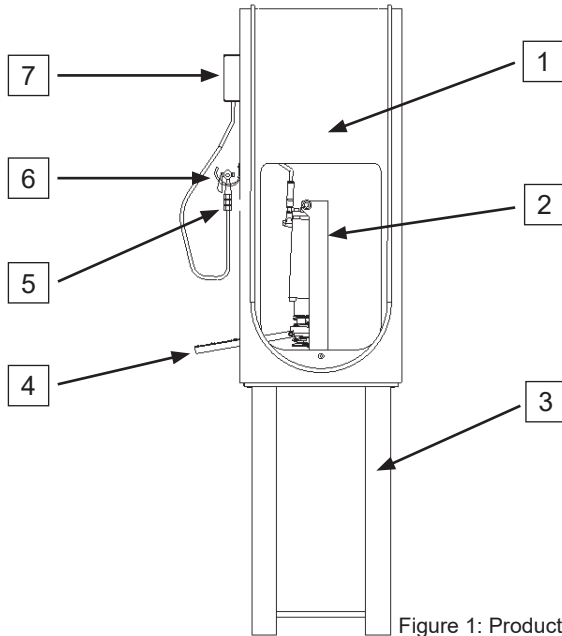


Figure 1: Product overview

Table 1: Part description

No.	Description
1	Air pump system
	Cabinet
	Sheath
2	Pneumatic cylinder
3	Embedment frame
4	Foot Pedal
5	Pump head and hose
6	Hook for pump handle
7	Cover for hose

---

## SAFETY INFORMATION

**IMPORTANT:** Read these instructions before product installation and operation

Before product installation and operation, please read the following safety information and sections in this manual concerning operation and installation. In addition to addressing safety concerns, reading this material will also help prevent damage to the product.

**Failure to install and operate this product in accordance with this information or using unauthorized spare parts could cause damage to the product and could result in severe bodily injury.**

### **Product operation safety information**

- Compressed air can be dangerous; do not direct airflow at a person's head or body.
- This product is constructed and approved for a maximum pressure as stated under Technical Specifications. This should never be exceeded.
- This product should only be operated at temperatures stated under Technical Specifications.

### **Product servicing safety information**

- Only qualified service technicians should carry out service on this product.

## OPERATION

### General use

The pump head on the side of the cabinet (Figure 1, item 5) is used for pumping and it accommodates the three common valve types used on bicycle tires: Dunlop, Schrader, and Presta.

Figure 2 illustrates the handle of the pump.

Press the head of the pump handle down on the valve. Keep pressing down. Press the foot pedal (Figure 2, item 4) down repeatedly and air will fill the bicycle tire. Keep pumping the foot pedal until the desired pressure is reached.

After using the air pump system, place the pump head on the hook on the side of the cabinet (Figure 1, item 6).

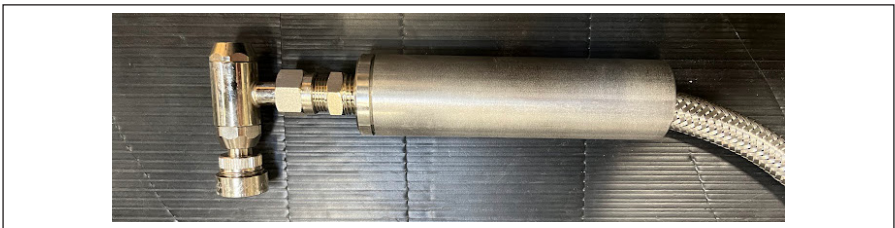


Figure 2: Pump user instructions

## INSTALLATION

This product can be installed in two ways. (1) The product can be mounted directly on bolts which have been installed in a concrete base, and rise up through the bottom of the pump. (2) The product can be ordered with an embedment frame which is cast in concrete.

### Mounting (Bolting)

Install four bolts in a concrete base, which rise up through the bottom of the pump. Bolts should be spaced as indicated in the drawing below, which shows the bottom view of the pump (Figure 3). Nuts and washers should be used to secure the pump to the base.

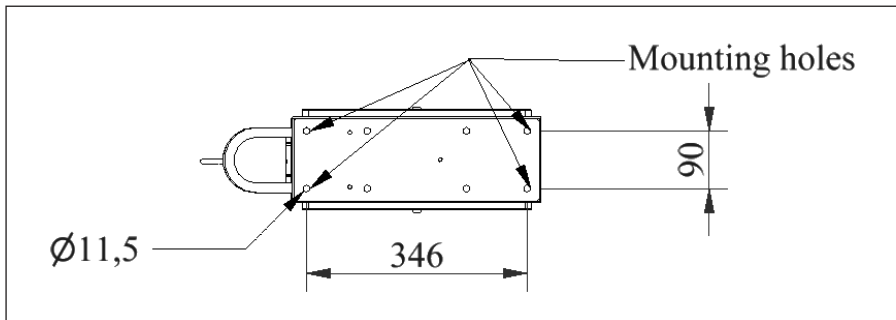


Figure 3: Bottom view of product, with spacing of mounting holes

# INSTALLATION

## Mounting (Embedment)

Embedment of the air pump is done by casting the embedment frame into a concrete foundation (Figure 4). The air pump is then mounted on top of the embedment frame with 4 M10x20 screws and 4 M10 washers.

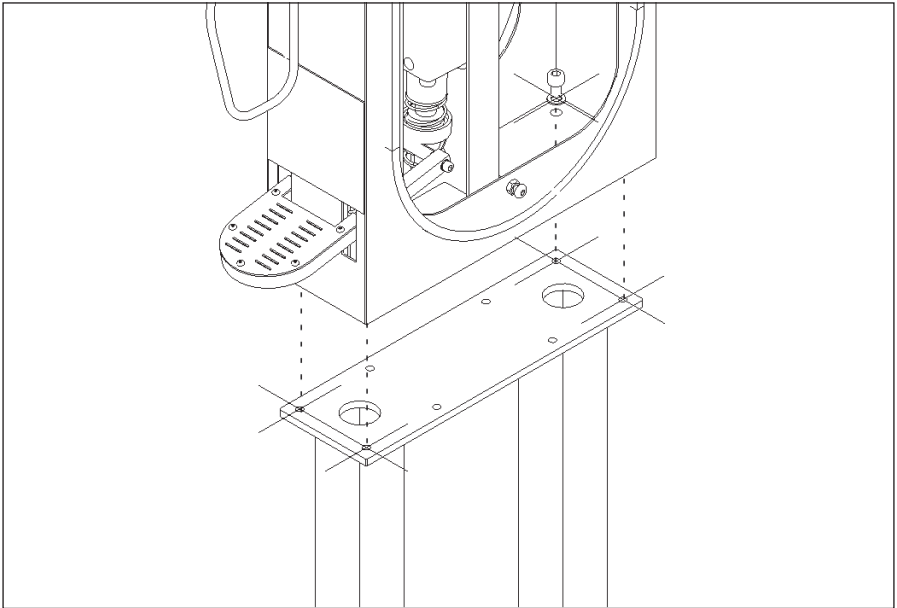


Figure 4: Mounting the air pump to the frame



## TECHNICAL SPECIFICATION

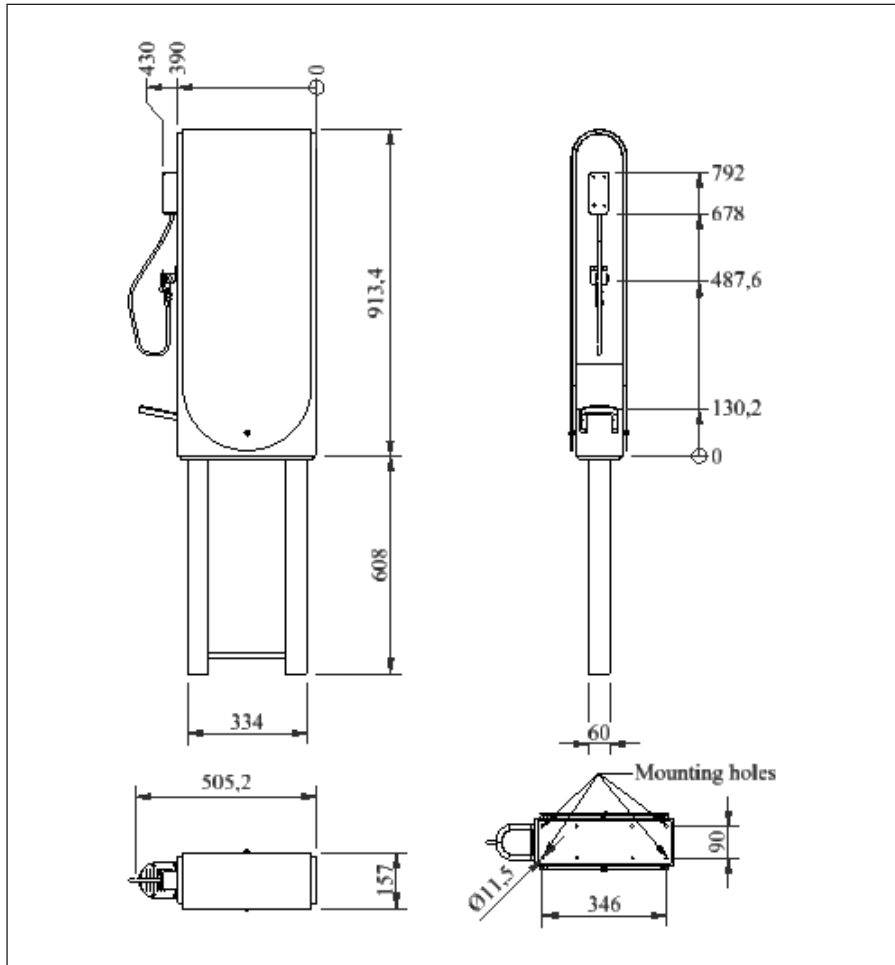


Figure 5: Other dimensions

## TECHNICAL SPECIFICATION

Table 2: Technical specification

Model	
Model no.	CARPU1001
Materials and finish	
Outer casing	2mm Stainless steel, powder coated
Hose	Armoured steel hydraulic air line.
Pump handle	Accommodates Dunlop, Schrader, and Presta valve types.
Weight	20kg
Pneumatic cylinder	
Max pressure	8bar
Temperature range	-20°C - +80°C

## MAINTENANCE

Regular maintenance will prolong the life of your HITSA product and also ensure optimal operating performance.

HITSA recommends that the AROS Manual Pump CARPU1001 should be maintained according to the following maintenance schedule.

**ATTENTION:** If service is performed inside the pump, protect the internal portion of the air pump against rain, moisture, and dust.

## MAINTENANCE

Table 3: Maintenance list

Maintenance list	Monthly	Semi Annual	Annual
Check the pump head and gasket for proper functioning. Replace pump head if rubber gaskets are worn, or if pump head is not functioning properly.	•		
Remove dirt from the cabinet with detergent. For regularly cleaning, detergent should not contain abrasives or solvents.		•	
<p><b>Graffiti</b>            Graffiti can be removed with benzene, turpentine or in difficult cases with metyletylketon (MEK)*.            Cleaning must be followed by a wax treatment.            *By using metyletylketon (MEK) the surface may not be rubbed more than maximum 4-5 times during each application.</p>			
<p><b>Repairing minor damage:</b>            1. Gently sand damaged area, without damaging coating further.            2. Remove loose particles.            3. Apply refinish.</p>			
<p><b>Recommended products:</b>            Refinish: Standard paint in matching RAL color.            Cleaner: Neutral pH detergent; value from 5 to 8            Wax: General-purpose wax used to protect painted metal surfaces</p>			

## SPARE PARTS & WEAR PARTS

Table 4 identifies spare parts available for this product which may be installed by a HITSA Service Partner or by a certified professional.

Wear parts are identified in the table by an asterisk (\*). Wear parts, are those parts which will need to be replaced on a regular basis due to normal product use. Frequency of replacement depends on use patterns specific to each product installation location.

To order spare parts or enquire about service options, please contact HITSA through the contact information found on the back page of this manual.

Table 4: Spare parts

Description	Part no.
* Pump handle gasket kit	45800028
Pump handle spare parts kit	45800025
Pump handle and hose	45800039
Hook for pump handle	31800084
Cover for hose	31800092

## TERMS & CONDITIONS OF SALE

HITSA Terms & Conditions of Sale are available on the HITSA website. This product has a 1-year warranty covering manufacturing defects. Warranty coverage does not include damage due to vandalism. Warranty coverage does not include replacement of wear parts specified in this manual, which require replacement due to normal product use. To maintain warranty coverage, all product servicing must be completed by a HITSA Service Partner or by a certified professional.

HITSA reserves the right to modify technical specifications and offer alternative models of this product.

## ENRICHING URBAN LIFE

HITSA proudly offers a range of products and services all focused around the theme of Enriching Urban Life.

HITSA's product areas include Urban Lighting Solutions, Urban Furniture Solutions, and Urban Cycling Solutions. Design and quality are emphasized in all HITSA products, along with environmental and energy saving considerations. In addition to our product areas, HITSA Mobility offers consultancy services related to mobility management and the promotion of alternative forms of transportation.

HITSA Urban Cycling Solutions (UCS) includes products such as bicycle shelters, bicycle stands, and more sophisticated products such as cyclist counters, and air pumps.

## CONTACT INFORMATION & SERVICE SUPPORT

Please contact us if you have questions about your HITSA product, require service support, would like to order replacement parts, or would like to enquire about other HITSA products and services.

**HITSA**  
WE SUPPLY OUTDOOR SPACES

HITSA A/S  
Albuen 37, 6000 Kolding  
CVR. 28 85 41 02  
Tlf. +45 7557 4155 /  
[hitsa@hitsa.dk](mailto:hitsa@hitsa.dk)  
[www.hitsa.com](http://www.hitsa.com)